

## M7528-MP

**f=75mm F/2.8**  
**for 2/3 type Megapixel Cameras**  
**C-Mount**

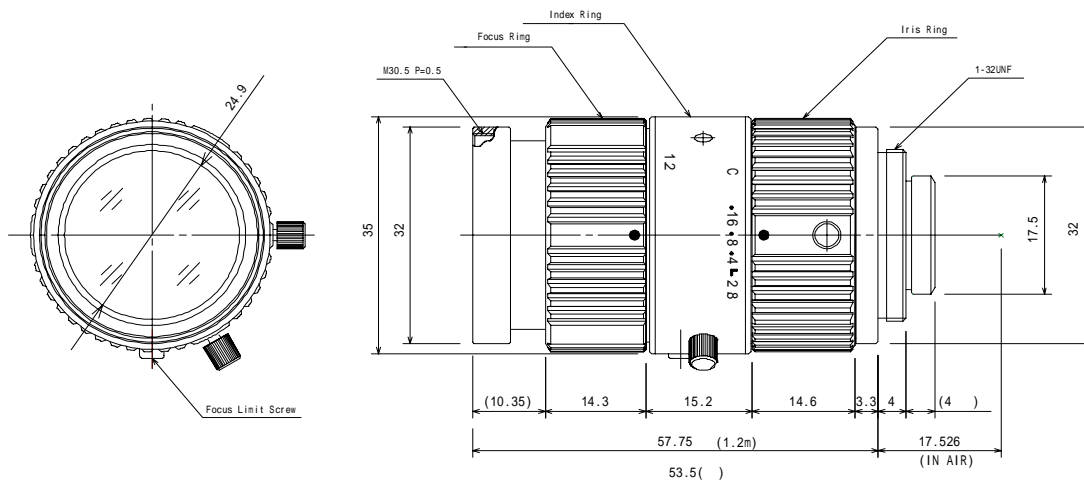


Model No.	M7528-MP		Effective	Front	φ 24.8mm	
Focal Length	75mm		Lens Aperture	Rear	13.6mm	
Max. Aperture Ratio	1:2.8		Distortion	2/3 type	-0.43%(y=5.5)	
Max. Image Format	8.8mm x 6.6mm( 11mm)			1/2 type	-0.22%(y=4.0)	
Operation Range	Iris	F2.8 F16C	Back Focal Length		21.5mm	
	Focus	0.3m Inf. ( )	Flange Back Length		17.526mm	
Control	Iris	Manual	Mount		C-Mount	
	Focus	Manual	Filter Size		M30.5 P=0.5mm	
Object Dimension at M.O.D	2/3 type	4.1cm x 3.1cm	Dimensions		35mm x 57.75mm	
	1/2 type	3cm x 2.2cm	Weight		113g	
Angle of View	D	2/3 type	8.5 °	1/2 type	6.2 °	
	H		6.8 °		5 °	
	V		5.1 °		3.7 °	
Operating Temperature	-10 +50					

( ) Factory Setting is 0.3 - 1.2m. Focus can be adjusted to infinity by removing "Focus Limit Screw"

M.O.D : Minimum Object Distance

### Dimensions



Specifications are subject to change without notice.